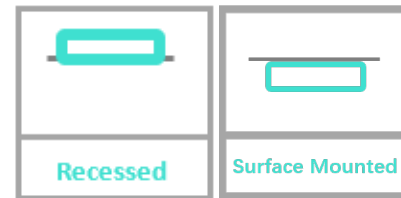


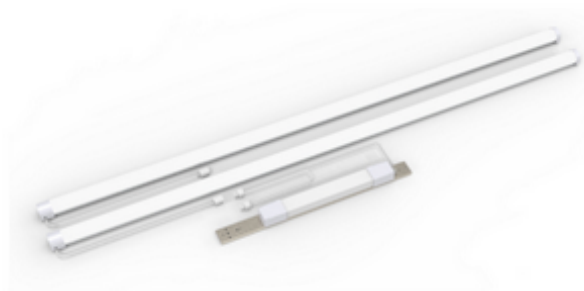


Cyanlite™

FIT0

LED Retrofit Tube for T5/T8
Fluorescent Tubes





Fito

T5/T8 Fluorescent Tubes Retrofit Replacement Kit

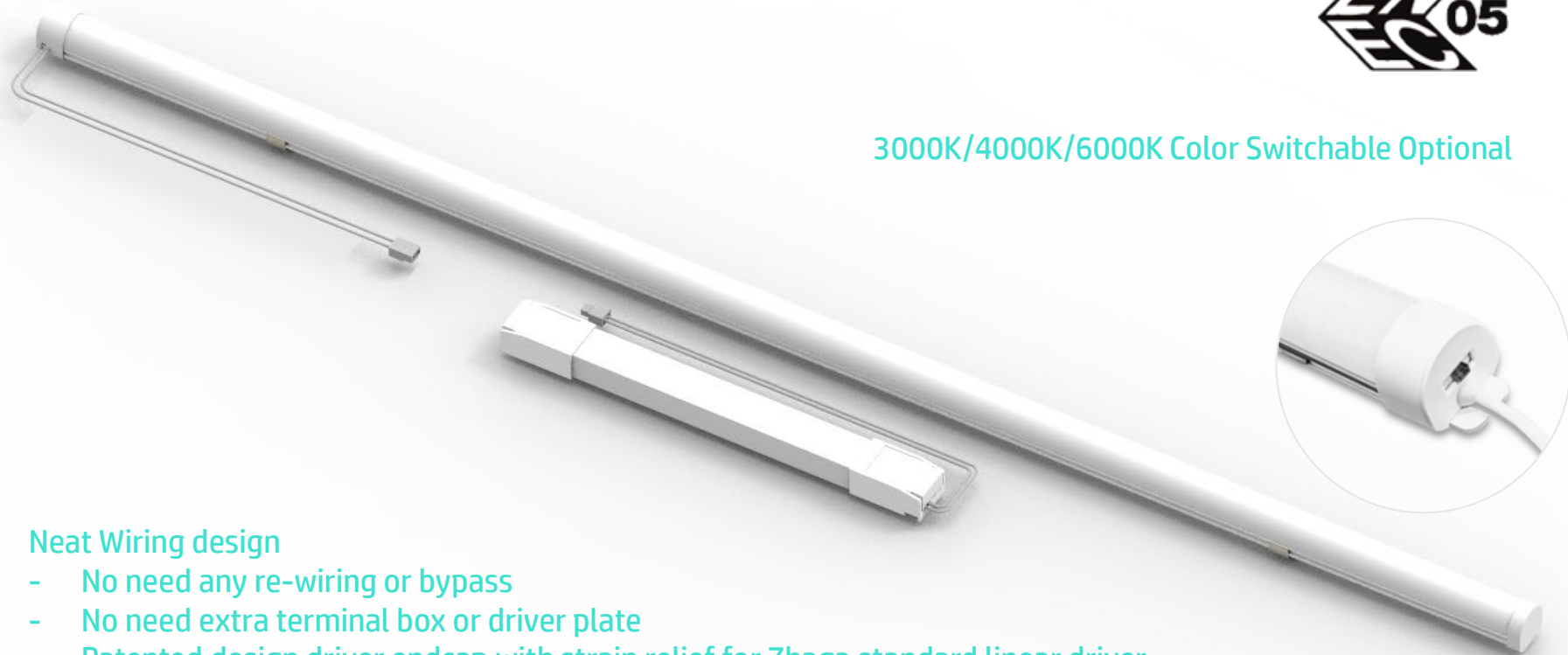
- Universal design for both T5 and T8 tubes
- 2 ways of installations: Magnet and Screw
- No need for Re-wiring or Bypass
- Super Easy and Fast installation
- Upto 180 lm/w efficiency
- Isolated SELV external driver
- SCCT (Switchable CCT) 3000K/4000K/6000K
- Power Adjustable for Multiple Lumen Output.
- 5 Years Warranty



Certified as complete LED Luminaire (not just light source) by ENEC



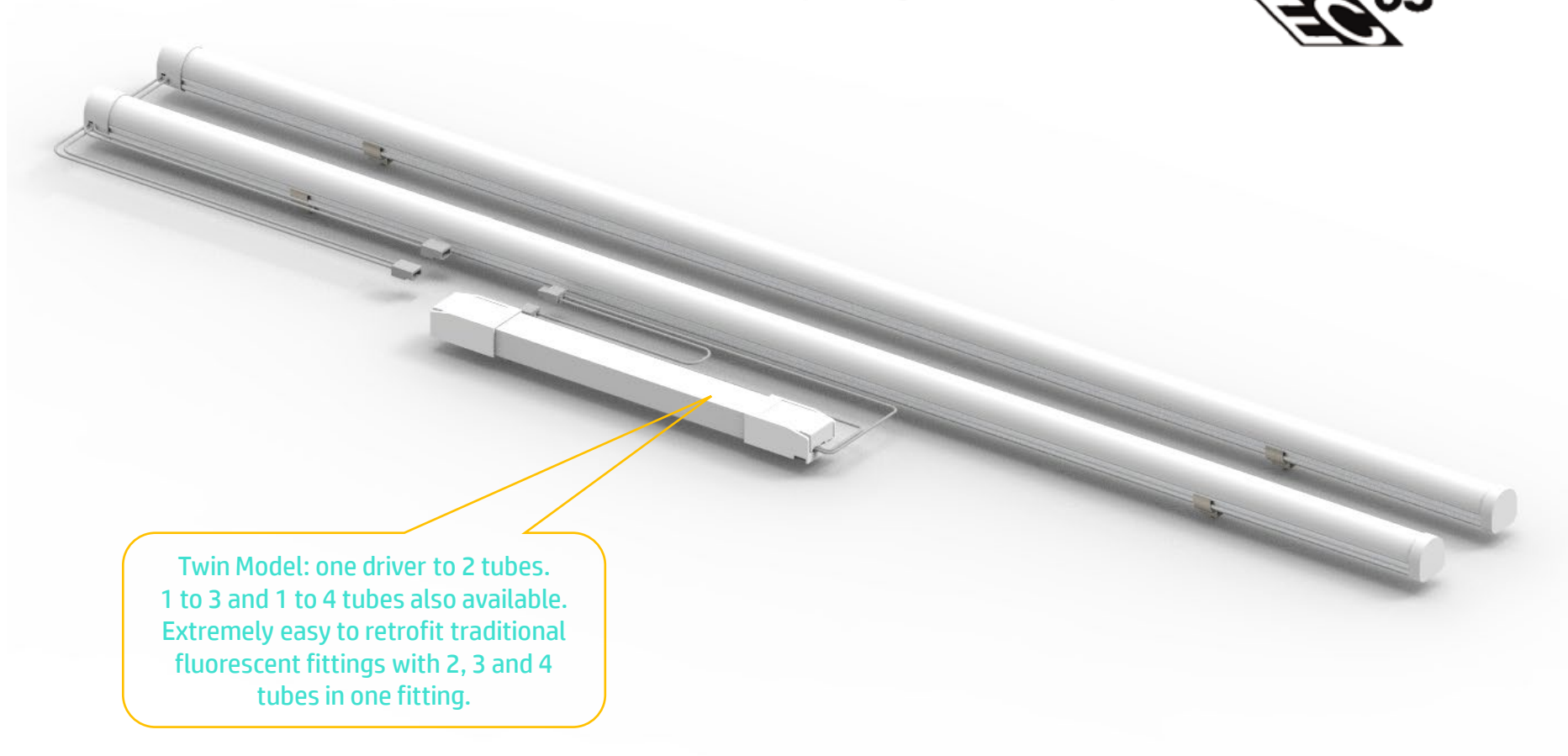
3000K/4000K/6000K Color Switchable Optional



Neat Wiring design

- No need any re-wiring or bypass
- No need extra terminal box or driver plate
- Patented design driver endcap with strain relief for Zhaga standard linear driver

Certified as complete LED Luminaire (not just light source) by ENEC



Twin Model: one driver to 2 tubes.
1 to 3 and 1 to 4 tubes also available.
Extremely easy to retrofit traditional
fluorescent fittings with 2, 3 and 4
tubes in one fitting.

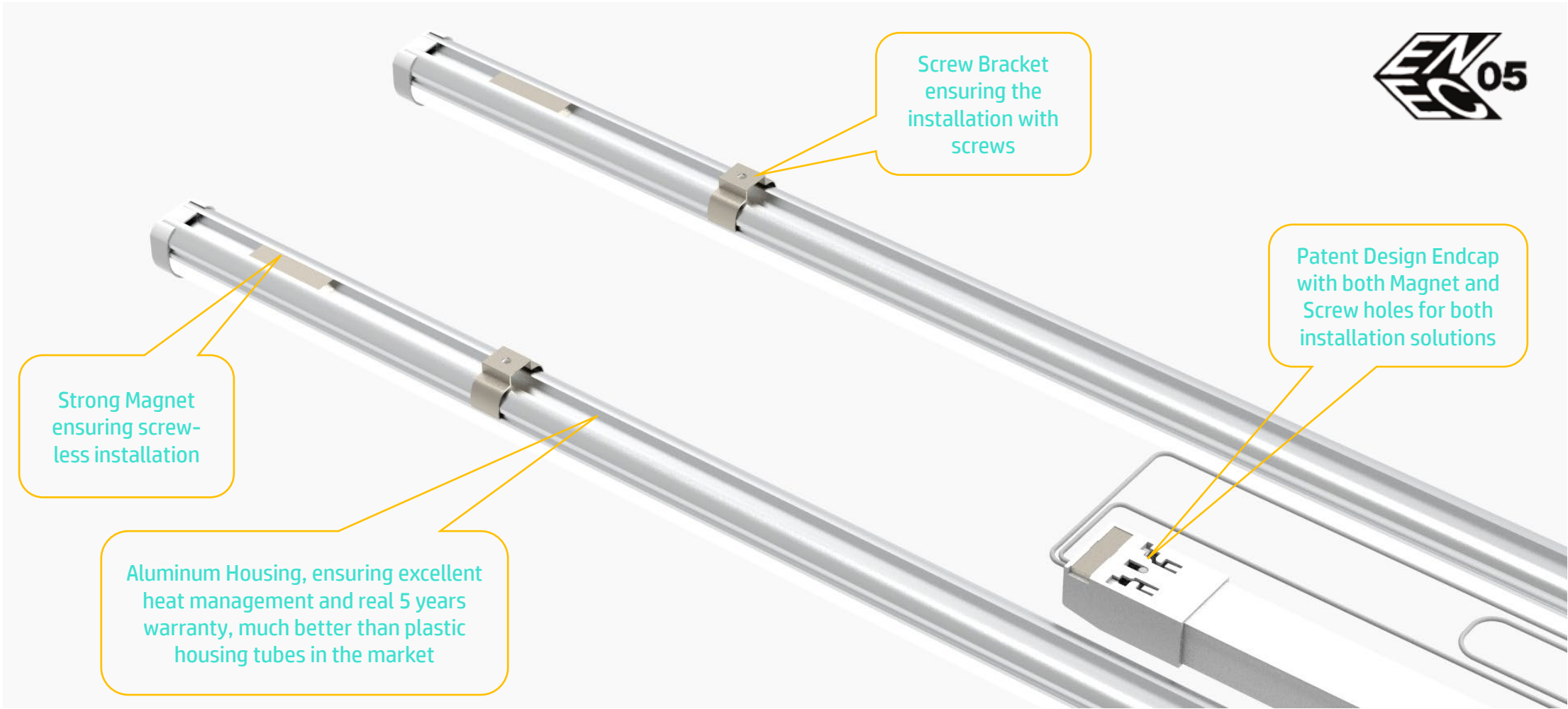


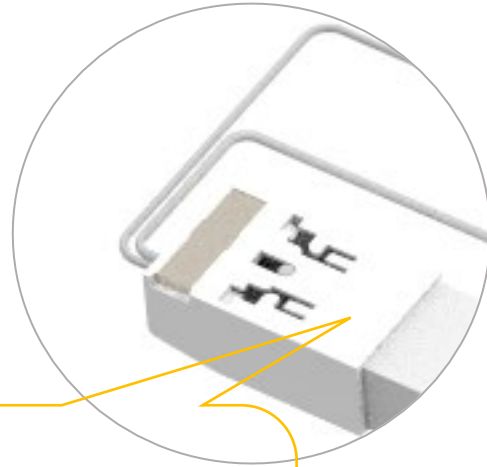
Screw Bracket
ensuring the
installation with
screws

Patent Design Endcap
with both Magnet
and
Screw holes for both
installation solutions

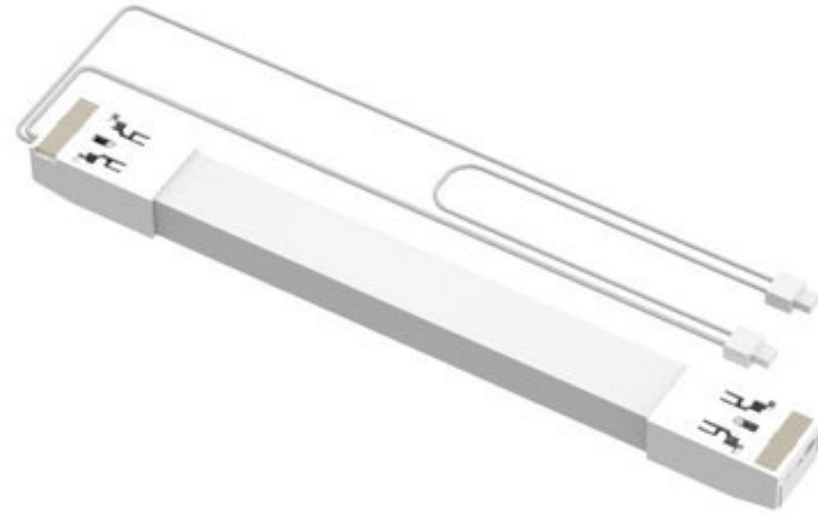
Strong Magnet
ensuring screw-
less installation

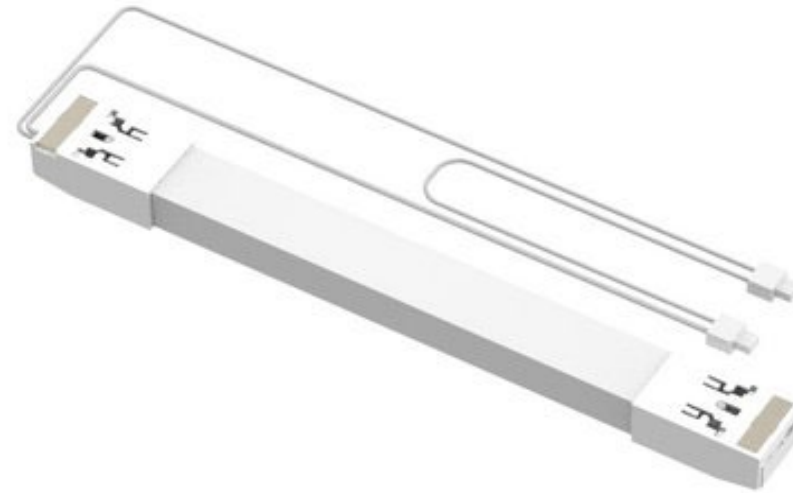
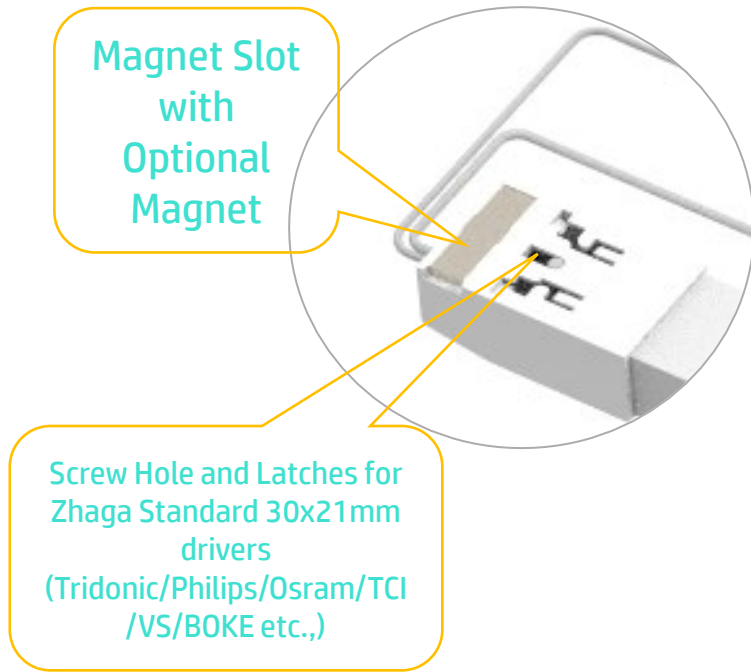
Aluminum Housing, ensuring excellent
heat management and real 5 years
warranty, much better than plastic
housing tubes in the market

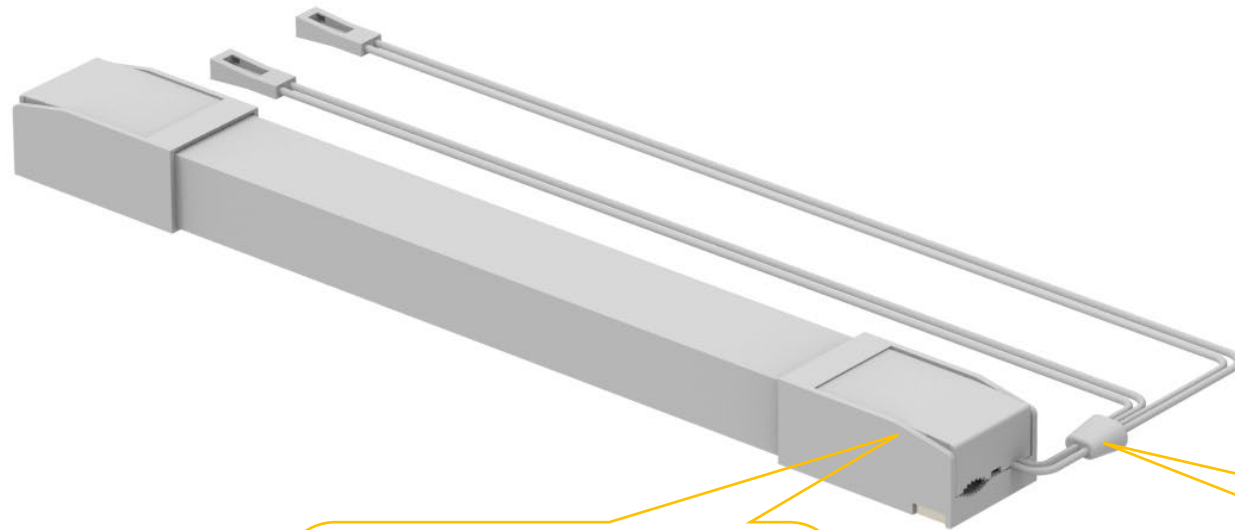




Cyanlite Patent Design Driver Endcap
for Zhaga Standard 30x21mm drivers
(Tridonic/Philips/Osram/TCI/VS/BOKE
etc.,)

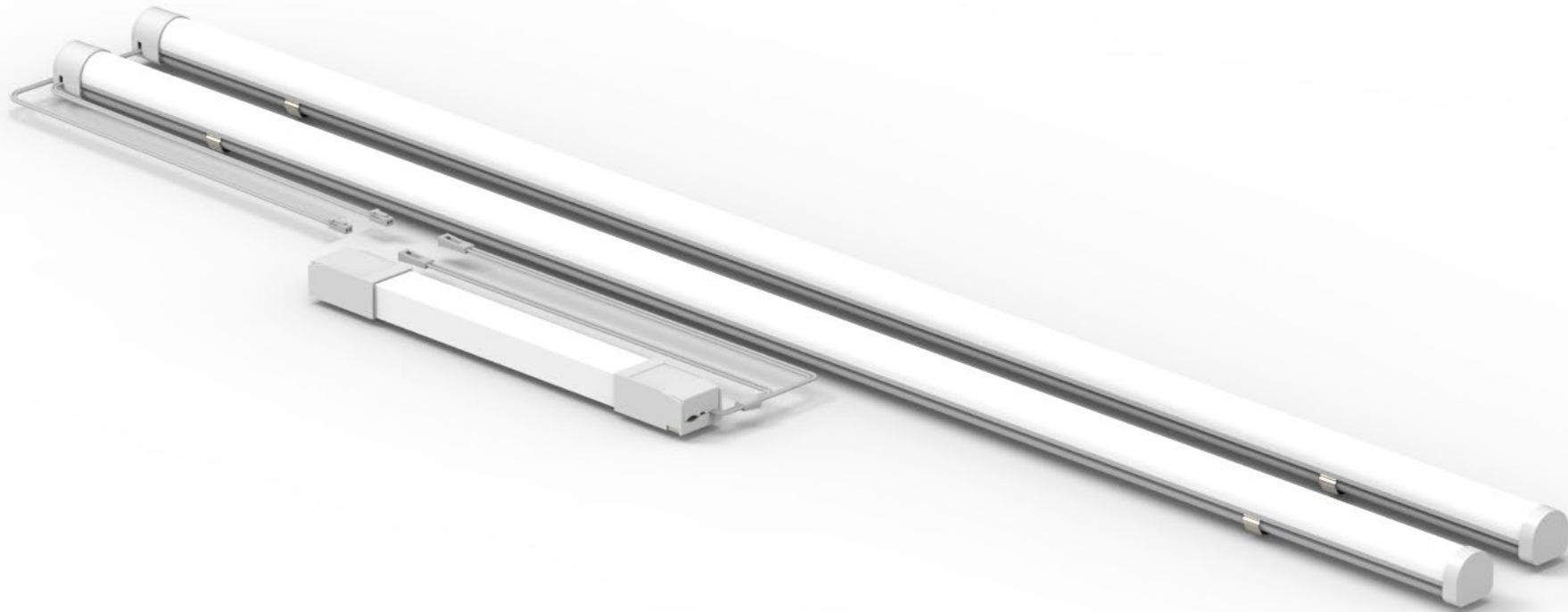




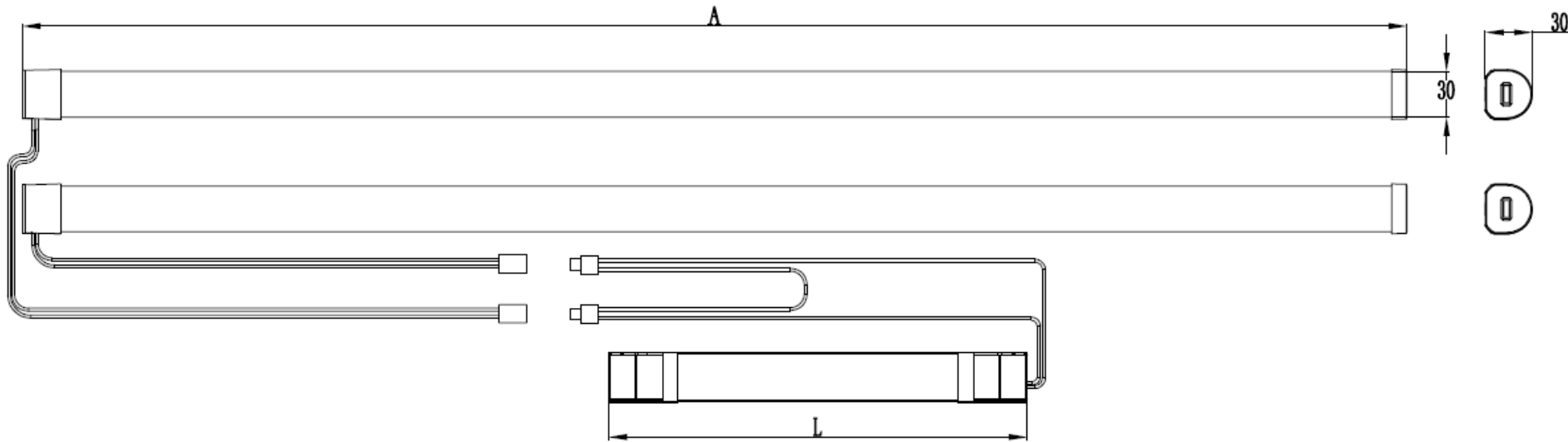


Screwless Design
Cyanlite Patent Design Driver Endcap
for Zhaga Standard 30x21mm drivers
(Tridonic/Philips/Osram/TCl/VS/BOKE
etc.,)

1 to 2 DC cables
1 to 3 DC Cables available
1 to 4 DC Cables available

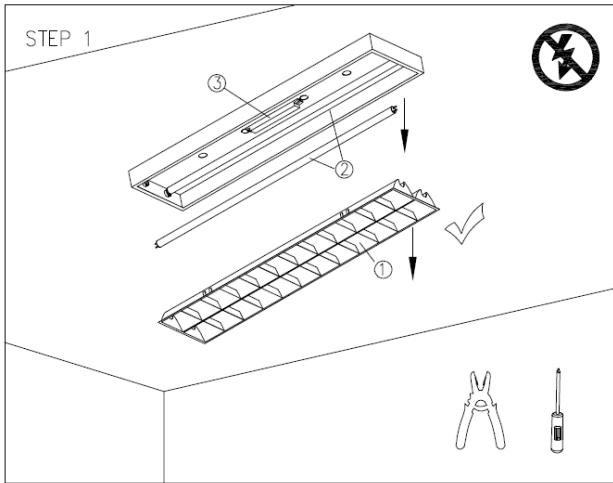


Perfect solution for your retrofit projects that needs to keep existing luminaire housing but new lighting with DALI dimming and easy installation



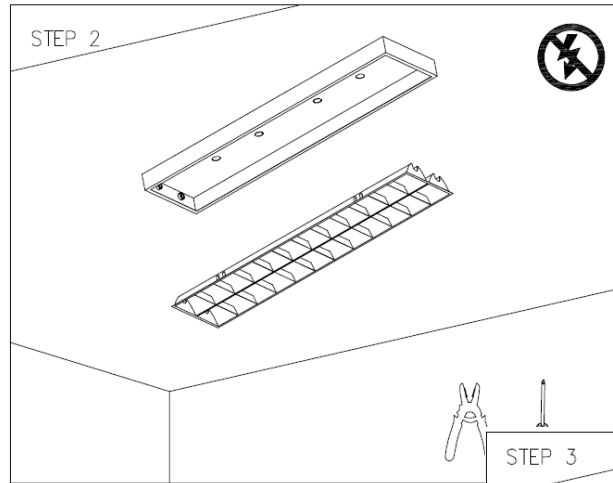
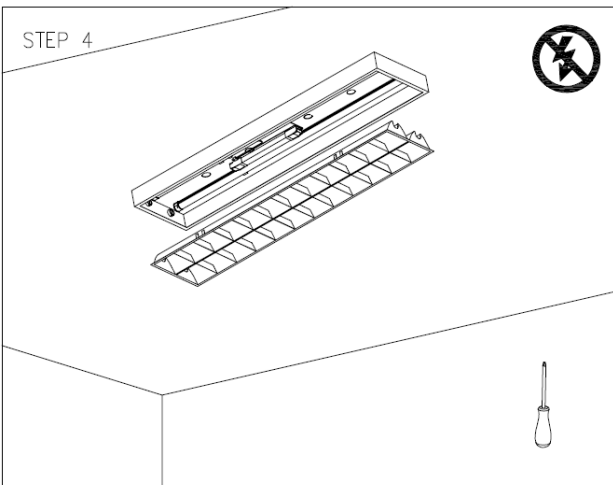
Model	A	L ^(*)
600 mm	560 mm	216 mm
900 mm	860 mm	216 mm
1200 mm	1160 mm	266 mm
1500 mm	1460 mm	316 mm

(*) L depends on different driver brand and model used, default driver is Tridonic SNC4 series, with endcap 36mm extra than driver



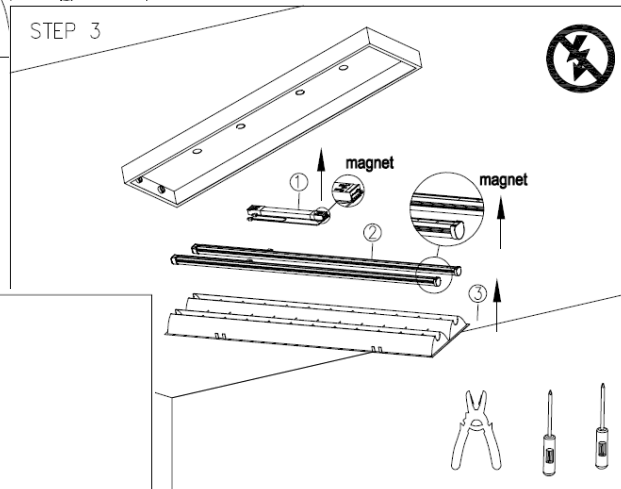
1, Power Off and take out the reflector and remove existing fluorescent tubes

4, Connecting the AC to the driver and plug the DC connector from driver to tubes

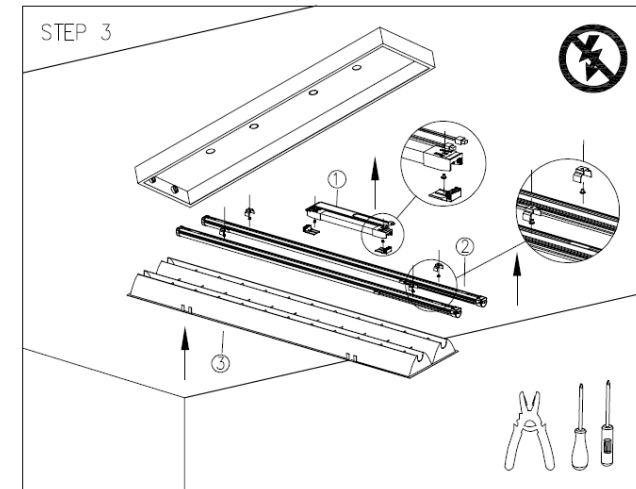


2, Remove the existing ballast and wires for neat installation
Or
Just keep everything there for quick installation

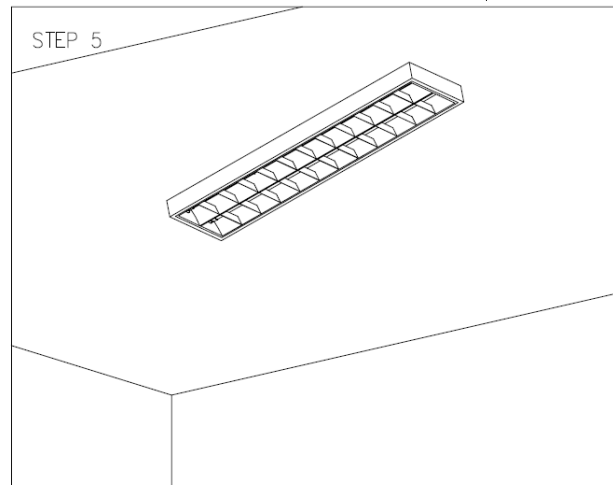
No need any re-wiring or modification



3, Stick the tubes and driver directly to the housing by Magnets
or
Install the tubes and driver to the housing by Screws



5, Install the reflector back to fitting, job done!



Single Model: 1 Driver for 1 Tube, Whole Set including LED Tube + Driver + Accessories



Model	Part No.	System Power	Lumen Output	Size	Beam
600	TB12W060R	12W	1900 lm	φ30x560 mm	120°
900	TB18W060R	18W	2900 lm	φ30x860 mm	120°
1200	TB23W120R	23W	3700 lm	φ30x1160 mm	120°
1500	TB36W150R	36W	6000 lm	φ30x1460 mm	120°

Twin Model: 1 Driver for 2 Tubes, Whole Set including 2xLED Tube + 1x Driver + Accessories

Model	Part No.	System Power	Lumen Output	Size	Beam
600	TB12W060R-X2	12W x2	1900 lm x2	φ30x560 mm	120°
900	TB18W060R-X2	18W x2	2900 lm x2	φ30x860 mm	120°
1200	TB23W120R-X2	23W x2	3700 lm x2	φ30x1160 mm	120°
1500	TB36W150R-X2	36W x2	6000 lm x2	φ30x1460 mm	120°

Triple Model: 1 Driver for 3 Tubes, Whole Set including 3xLED Tube + 1x Driver + Accessories

Model	Part No.	System Power	Lumen Output	Size	Beam
600	TB12W060R-X3	12W x3	1900 lm x3	φ30x560 mm	120°
900	TB18W060R-X3	18W x3	2900 lm x3	φ30x860 mm	120°
1200	TB23W120R-X3	23W x3	3700 lm x3	φ30x1160 mm	120°
1500	TB36W150R-X3	36W x3	6000 lm x3	φ30x1460 mm	120°



>>> More **Cyanlite™** Products

**Vandal Proof IK10
T-Bar/Clip-In Ceiling**



595x595/599x599
620x620/624x624

IK10 IP65

**Universal Design
T-Bar/Gypsum Ceiling**




600x600 Model: 597x597
625x625 Model: 620x620

Upto 125 lm/W



D40/50/60/70/80/100/120cm

**No Screw Visible
Sidelite Surface Mounted**



No Space Between Ceiling
1247/1547 Retrofit Sizes

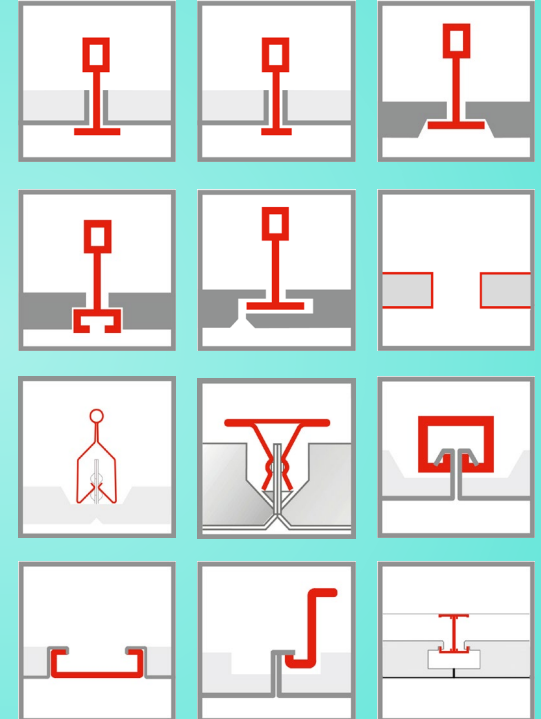


Call us: +86 131 6619 3993
Email us: sales@cyanlite.com
Know us: www.cyanlite.com



Cyanlite™ LED Lighting Products For

- Lay-On
 - Lay-In
 - Cut-Out
 - Clip-In
 - Hook-In
 - Hook-Over
 - Hook-On
 - Double-Hook
- ## Ceilings



www.cyanlite.com