

Cyanlite™

FIT0

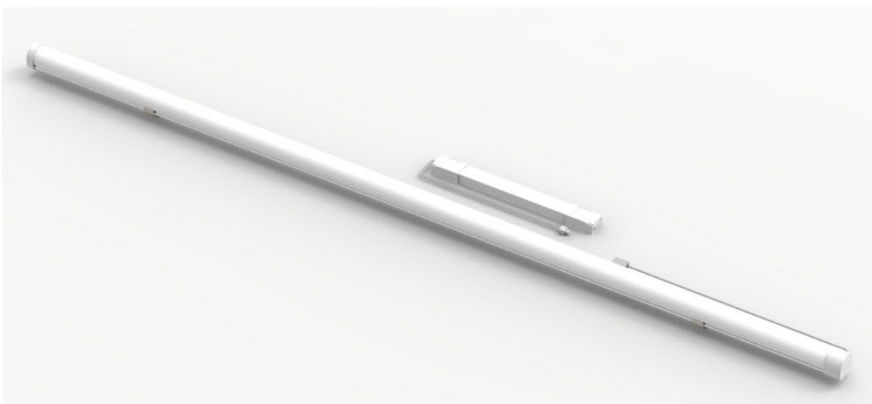
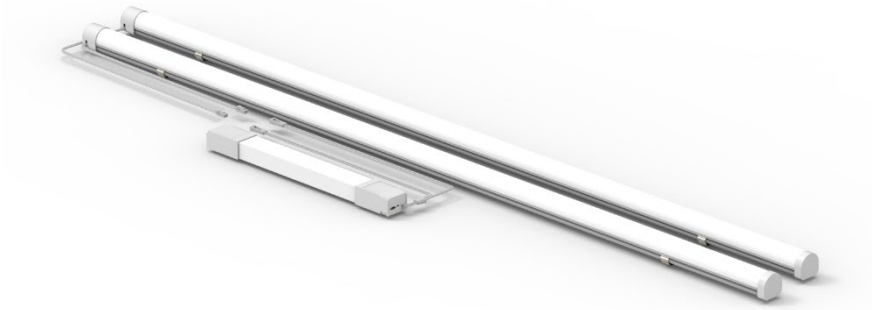
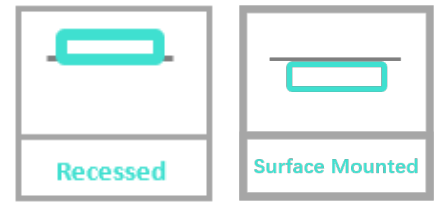
LED Retrofit Tube
for T5/T8
Fluorescent Tubes



Recessed



Surface Mounted



Overview

The Cyanlite FITO Retrofit LED Tube is an ideal replacement for traditional fluorescent T5/T8 tubes. Its magnetic design allows for quick and easy installation. Additionally, the SELV external driver ensures safe usage, while offering various options for DALI dimming, 1-10V dimming, and TRIAC dimming. The product also features an optional SCCT version (3000K-3500K-4000K/3000K-4000K-6500K) and Power Adjustable function, making it more flexible for various applications and demands, and relieving stock pressure. The TWIN model that one driver supplies 2 tubes make it more price competitive and easier for the retrofit. ENEC approved ensures 5 years warranty, long lifetime and high quality.

Advantage

- Aluminum housing ensures better heat management and longer lifetime.
- Isolated SELV external driver, meet all the safety requirements and standards.
- Twin Model: 1 driver supply 2 tubes to make it more price competitive for the product and installation.
- DALI dimming, 1-10V dimming, and TRIAC dimming optional.
- SCCT (Switchable CCT) and Power Adjustable for Multiple Lumen Output.
- Dual installation options with Magnetic and Screws.
- Patented Designed driver endcaps include the magnet, screw holes and strain relief.

Features

Certified as complete LED Luminaire (not just light source) by ENEC

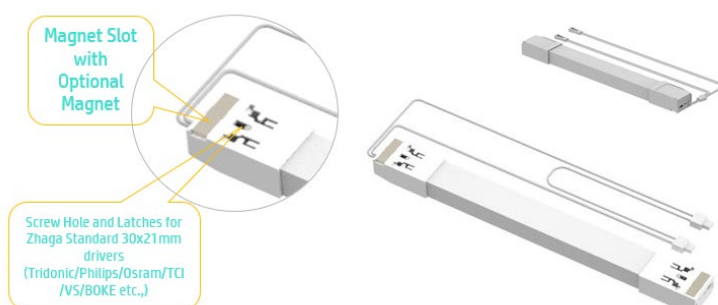
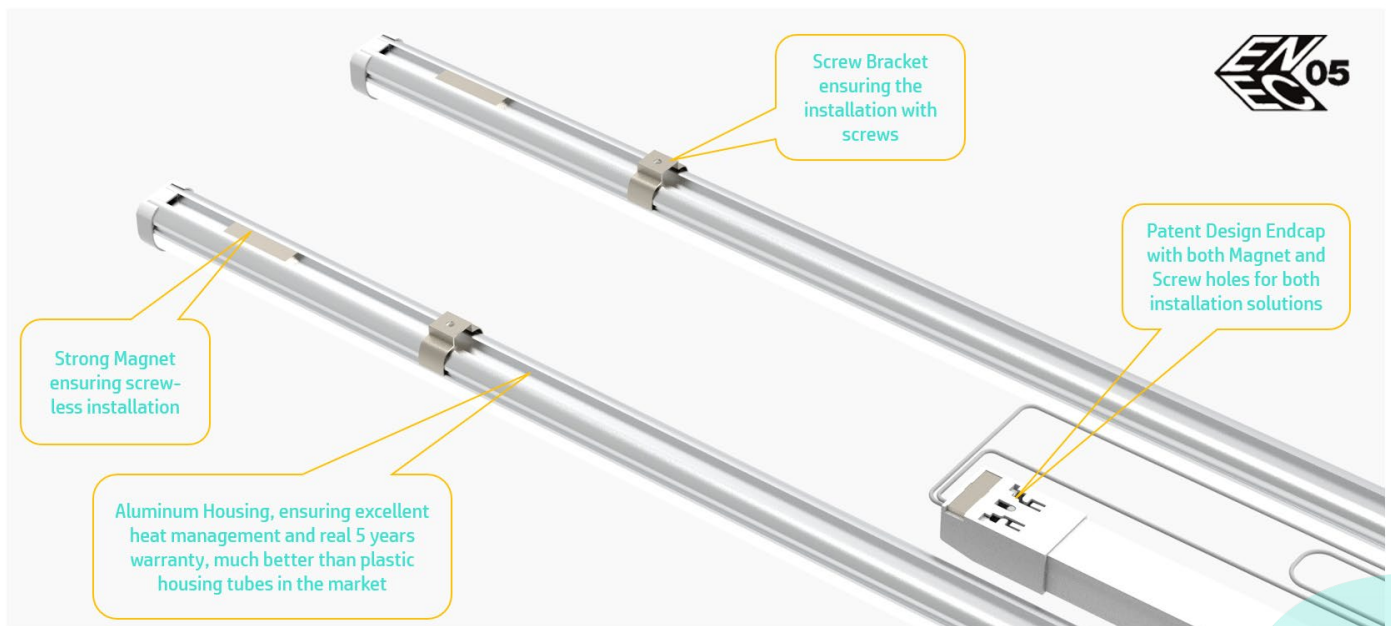


3000K/4000K/6000K Color Switchable Optional



Neat Wiring design

- No need any re-wiring or bypass
- No need extra terminal box or driver plate
- Patented design driver endcap with strain relief for Zhaga standard linear driver



Single Model: 1 Driver for 1 Tube, Whole Set including LED Tube + Driver + Accessories

Model	Part No.	System Power	Lumen Output	Size	Beam
600	TB12W060R	12W	1900 lm	φ30x560 mm	120°
900	TB18W060R	18W	2900 lm	φ30x860 mm	120°
1200	TB23W120R	23W	3700 lm	φ30x1160 mm	120°
1500	TB36W150R	36W	6000 lm	φ30x1460 mm	120°

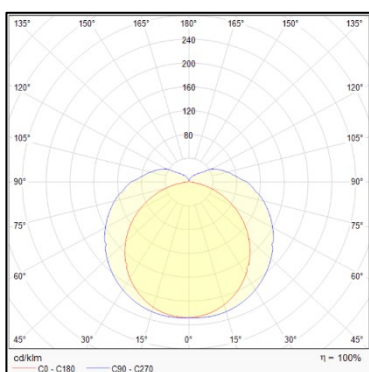
Twin Model: 1 Driver for 2 Tubes, Whole Set including 2xLED Tube + 1x Driver + Accessories

Model	Part No.	System Power	Lumen Output	Size	Beam
600	TB12W060R-X2	12W x2	1900 lm x2	φ30x560 mm	120°
900	TB18W060R-X2	18W x2	2900 lm x2	φ30x860 mm	120°
1200	TB23W120R-X2	23W x2	3700 lm x2	φ30x1160 mm	120°
1500	TB36W150R-X2	36W x2	6000 lm x2	φ30x1460 mm	120°

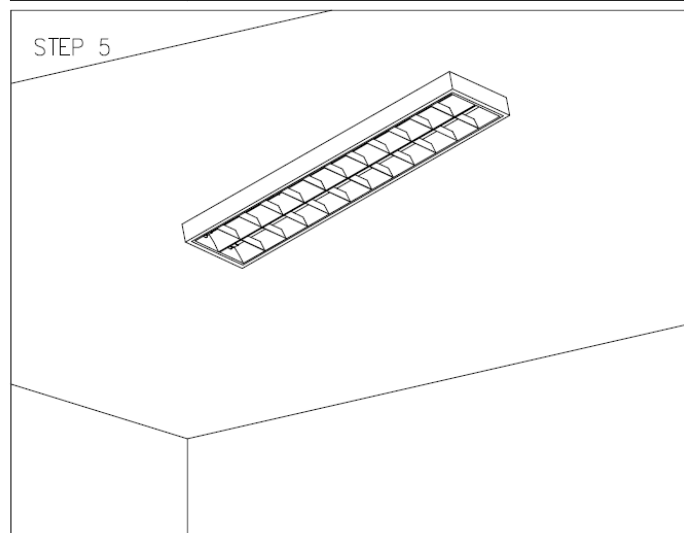
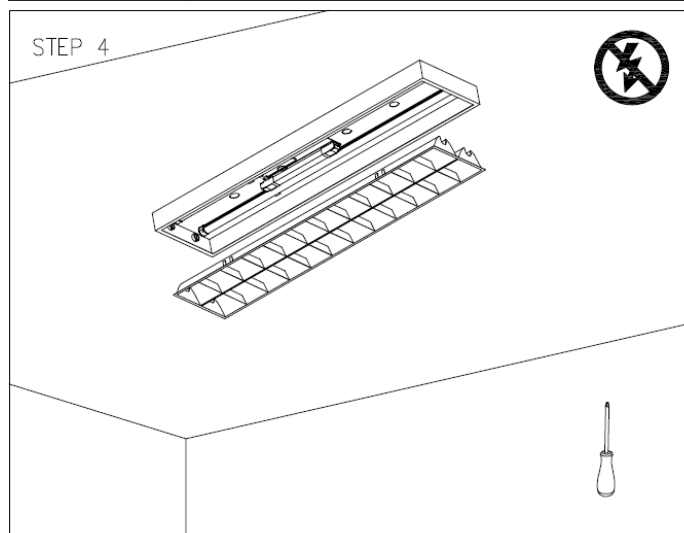
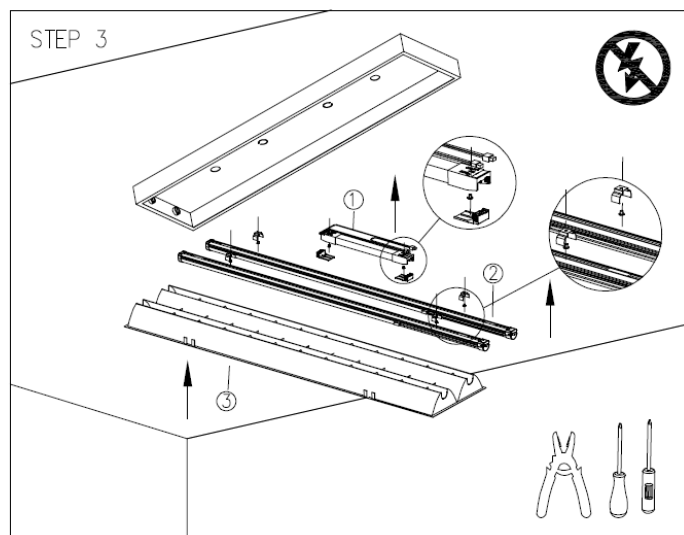
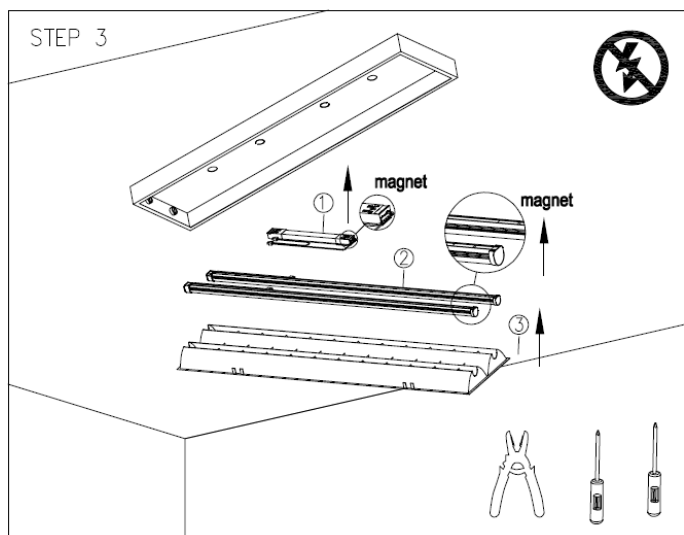
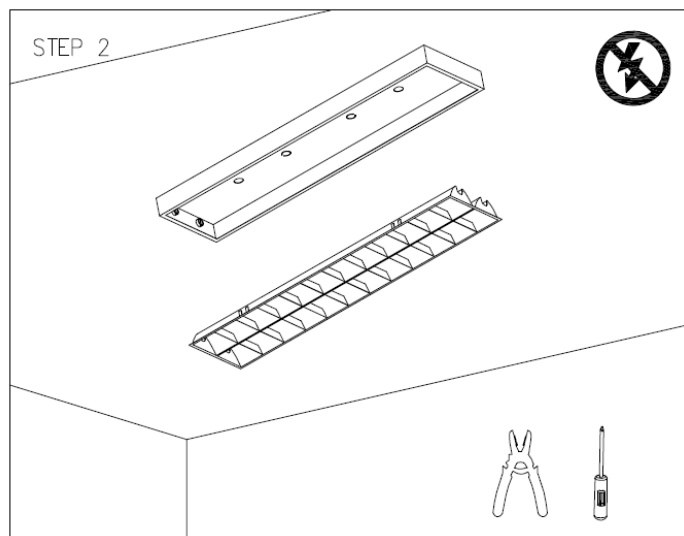
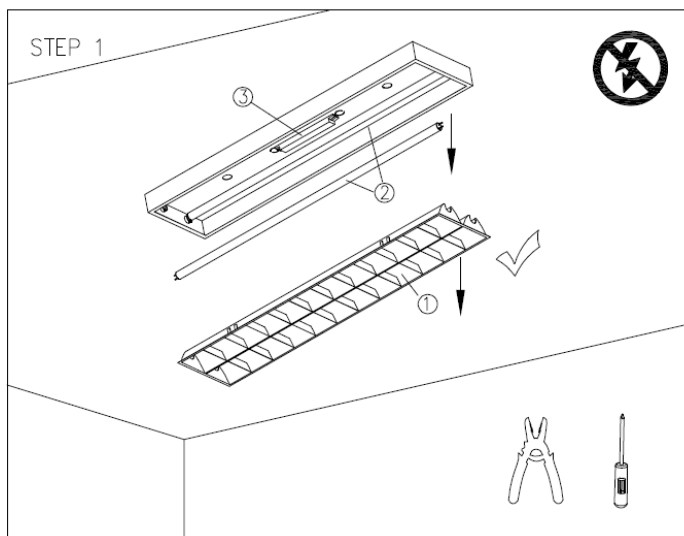
Triple Model: 1 Driver for 3 Tubes, Whole Set including 3xLED Tube + 1x Driver + Accessories

Model	Part No.	System Power	Lumen Output	Size	Beam
600	TB12W060R-X3	12W x3	1900 lm x3	φ30x560 mm	120°
900	TB18W060R-X3	18W x3	2900 lm x3	φ30x860 mm	120°
1200	TB23W120R-X3	23W x3	3700 lm x3	φ30x1160 mm	120°
1500	TB36W150R-X3	36W x3	6000 lm x3	φ30x1460 mm	120°

Photometric



- Beam: 120°

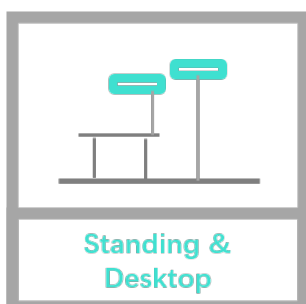
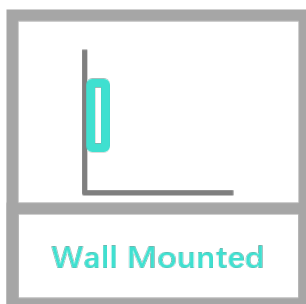
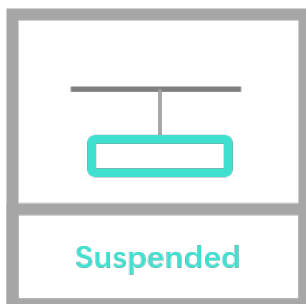
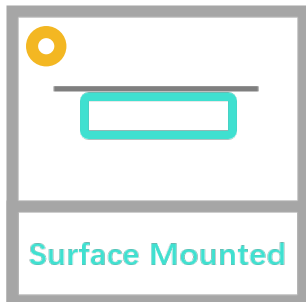
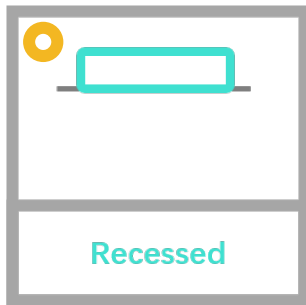


- 1, Power Off and take out the reflector and remove existing fluorescent tubes.
- 2, Remove the existing ballast and wires for neat installation. Or Just keep everything there for quick installation.
- 3, Stick the tubes and driver directly to the housing by Magnets. Or Install the tubes and driver to the housing by Screws.
- 4, Connecting the AC to the driver and plug the DC connector from driver to tubes.
- 5, Install the reflector back to fitting, job done!

System Efficiency	Upto 170lm/w @ 4000K Ra80;
CRI (Ra)	>80 (>90 optional)
Color Temp.	3000K/4000K/5000K/6500K (Single CCT) ; 3000K-3500K-4000K 3000K-4000K-6500K SCCT (Switchable CCT)
Class	Class I (System); Class III (Tube/luminaire)
Light Source	SMD2835 LED
SDCM	<3
Beam Angel	120°
Service Life	L80B10 (Ta25°C) > 50.000h
IP Rating	IP40
Impact Resistance	IK04
Hot Wire Resistance	850°C
Driver	SELV Flicker Free On/off driver as standard
Dimmable	1-10V, DALI, Push Dim, Bluetooth Optional
Nominal Frequency	50/60Hz
Power Factor	>0.9
Input Voltage	200~240V
Flick Free	Yes
Housing Material	Aluminum Housing
Diffuser Material	Polycarbonate (PC)
Storage Temp.	-40°C~+80°C
Working Temp.	-20°C~+45°C
Mount	Recessed/Lay-On/Surface Mounted
Warranty	5 years

According to the International Standard of LED luminaire, here Cyanlite formally claims this product is only allowed to be applied to indoor environment. Meanwhile Cyanlite promises full warranty for the products. Any severe environment application including high/low temperature, high humidity, high salinity, high ammonia etc. is not permitted without the official confirmation from the manufacturer. If any misapplication happens, the warranty policy is no longer guaranteed. All values are typical values measured under laboratory conditions at 25 °C. Specifications subject to change without notice.

Rev: 1.3 2024/12/20



Cyanlite™

LED Luminaires

For

- Recessed
- Surface Mounted
- Suspended
- Wall Mounted
- Standing & Desktop
- Installations

www.cyanlite.com

